

CBC 80 to 630 A, single-pole versions



2 types:

With a closing pole

CBC 57 80,
CBC 57 150,
CBC 68 200,
CBC 96 400,
CBC 96 630.

With an opening pole

RUBC 96 400,
RUBC 96 630.



CBC 57 80

CBC 96 400

Use

Switching-on and cutting-off resistive or inductive circuits. Nominal operating voltage: 500 V_a.

Description

- Single pin arc-blowout main pole (reinforced magnetic blowout for adaptation to nominal current, on request).
- Silver or silver alloy contacts for all the range, for use under continuous, semi-intensive and intensive duties DC₁ to DC₅.
- Copper contacts for the calibres 150, 200, 400 and 630 A for current use under semi-intensive and intensive duties DC₂ to DC₅.
- Solid closing electromagnet in iron, direct DC supply for the coil without economy resistor, except for the RUBC 96 400 and 630 contactors.

Options

- Possible addition M type auxiliary contact blocks (2 blocks at maximum).
- Horizontal mechanical locking facility.
- Reinforced insulation.
- Tropical treatment n° 2.



**NEW
PRODUCT**

Single pole DC contactors

4. CBC 80 - 150 - 200 - 400 - 630 and RUBC 400 to 630

Standards: IEC 947.4.1.

(In conformity with UTEC 63-100, IEC 158-1 standards and VERITAS regulations.)

		CBC 57-80		CBC 57-150		CBC 68-200	
Thermal nominal current⁽¹⁾	A	100		250		320	
connecting section	mm ²	35		70		95	
Nominal operating voltage	V	500		500		500	
Maximum controlled powers⁽²⁾	voltage	V 220/250		440/500		220/250 440/500	
DC_2 - DC_4 duty cycle	kW	22		44		65 130	
Current switch-off rating L/R = 15 ms, all contacts							
in open air under 500 V	A	500		1400		3500	
in cubicle	voltage	V 250		500		250 500	
safety perimeter for							
metallic walls							
insulated walls							
M	N	M	N				
45	25	35	20	A		300	3000 500
50	40	40	30	A	250		
110	80	90	65	A		150	
125	95	105	75	A		500	165 4250 600
140	110	120	90	A	900		
175	125	145	105	A			700
195	145	185	135	A		1400	600
245	175	225	105	A			700 1000
Arcing time at current switch-off rating	ms	60		75		88	
Magnetic blowout							
normal	A	100		250		320	
reinforced	A	10 - 16 - 25 - 40 ⁽⁴⁾		80 ⁽⁴⁾		150 ⁽⁴⁾	
Current switch-on rating L/R = 15 ms	A	500		1400		3500	
Control circuit							
standard voltages ⁽³⁾	V	110 - 115/125 - 220/230		110/125 - 220/230		110 - 115/125 - 200/220	
consumptions	W	19		23		30	
closing time at Un	ms	125		180		220	
opening time between command and							
separation of contacts	ms	25		30		35	
complete opening of electromagnet	ms	77		85		110	
Mechanical endurance	millions of operations	5		5		10	
Number maximum of instant auxiliary contacts							
(M type blocks with 2 or 3 contacts).		6 NO 3 NO 1 NC		6 NO 4 NO 1 NC		6 NO 4 NO 2 NC 3 NC	

		RUBC 96		CBC 96	
		400	630	400	630
Thermal nominal current⁽¹⁾	A	500	630	500	630
connecting section	mm ²	240	400	240	400
Nominal operating voltage	V	600	600	600	600
Maximum operating voltage	V	700	700	700	700
DC_2 - DC_4 duty cycle	kW	200	250	200	250
Current switch-off rating L/R = 15 ms					
in open air under 500 V	A	6000	8500	6000	8500
Safety perimeter for					
metallic walls					
M	mm	80	100	80	100
N	mm	40	60	40	60
insulated walls					
M	mm	40	60	40	60
N	mm	30	40	30	40
Arcing time at current switch-off rating	ms	40	40	40	40
Magnetic blowout					
normal	A	400	630	400	630
Current switch-on rating L/R = 15 ms	A	6000	8500	6000	8500
Control circuit					
standard voltages ⁽³⁾	V	110 - 127 - 220/230 - 250			
consumptions	W	460/60	460/60	125	125
closing time at Un	ms			160	160
opening time between command and					
separation of contacts	ms	50	50	38	38
Mechanical endurance	millions of operations	10	10	10	10
Number maximum of instant auxiliary contacts					
(M type blocks with 2 or 3 contacts).		6	6	6	6

(1) in open air, DC_1 duty, silver contacts and normal blowout.

(2) 30 operations/hour, duty factor f 20 %.

(3) for other voltages, please consult us.

(4) possible blowout calibration:

CB 80 A: 1-2-3-4-6-10-16-25-40 A.

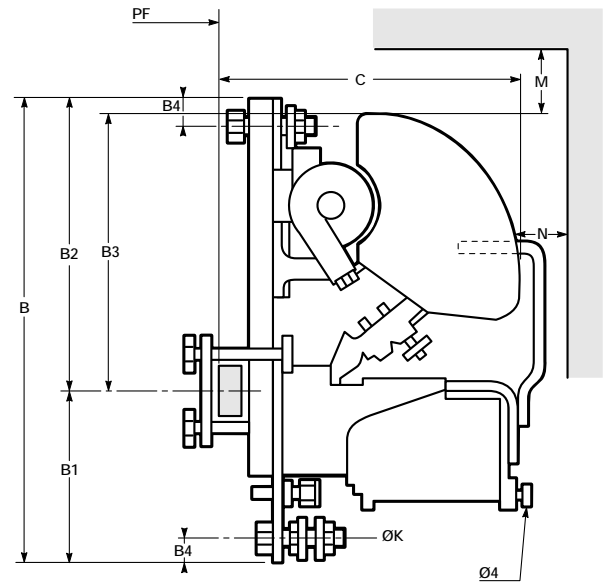
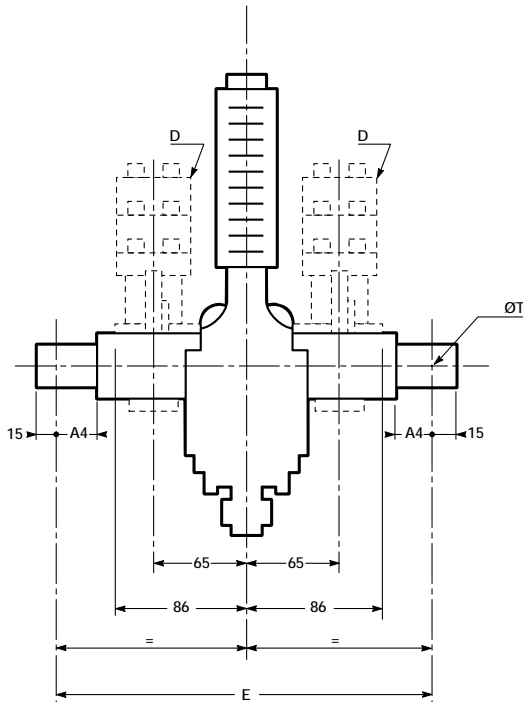
CB 150 A: 1-2-3-4-6-10-16-25-40-80 A.

CB 200 A: 1-2-3-4-6-10-16-25-40-80-150 A



Single pole DC contactors 500 V_{DC}

5. CBC 57 - 80 and 150 and 68 - 200



bar	80	150	200
bare	25 x 16	25 x 16	40 x 20
insulated	30 x 21	30 x 2	44 x 24
A4	17	27	22
B	204	252	302
B1	80	97	112
B2	124	155	190
B3	126	180	189
B4	7	8	12,5
C	155,5	181,5	190
ØK	6	8	10
ØT	9	9	13

D: instant contact block, form to be specified.

E: for CBC contactor with
- zero C block: 175,
- one C block: 200,
- two C blocks: 250.

PF: attachment plane.

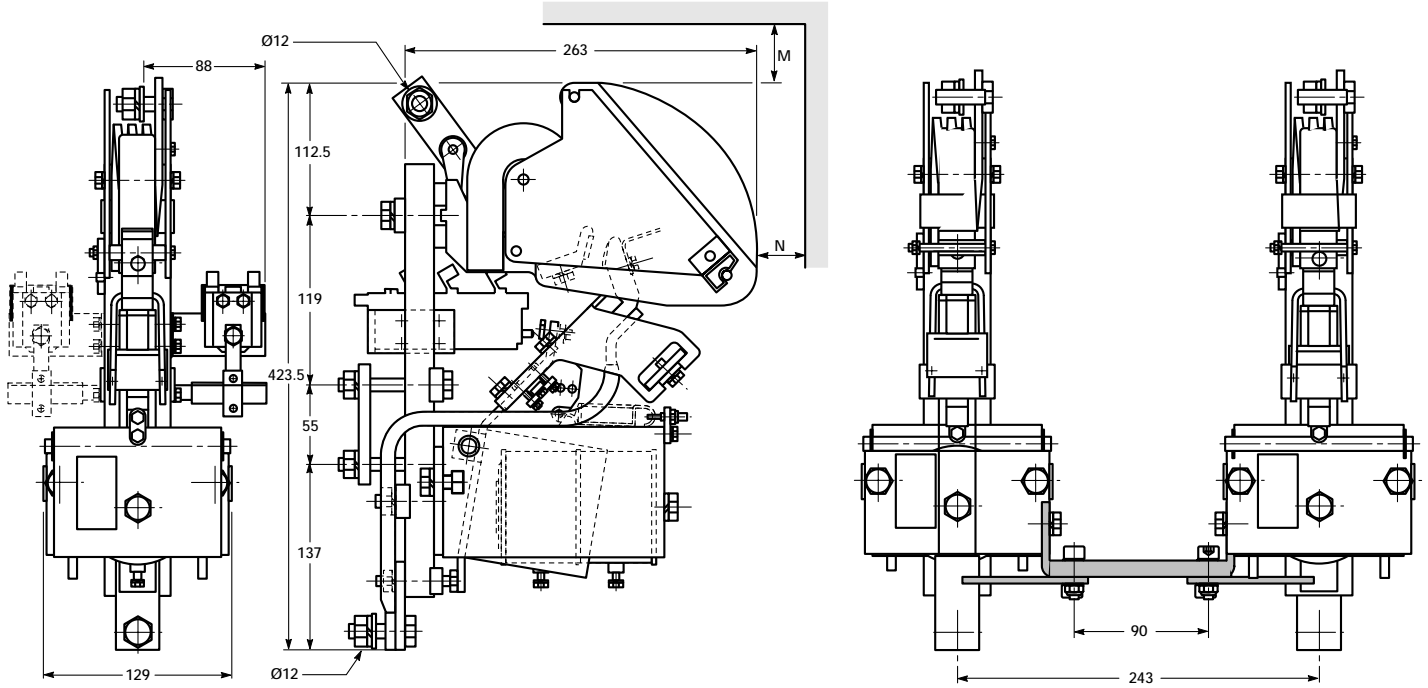


Example : lifting plane for travelling crane
for iron and steel industry



Single pole DC contactors 600 V_{DC}

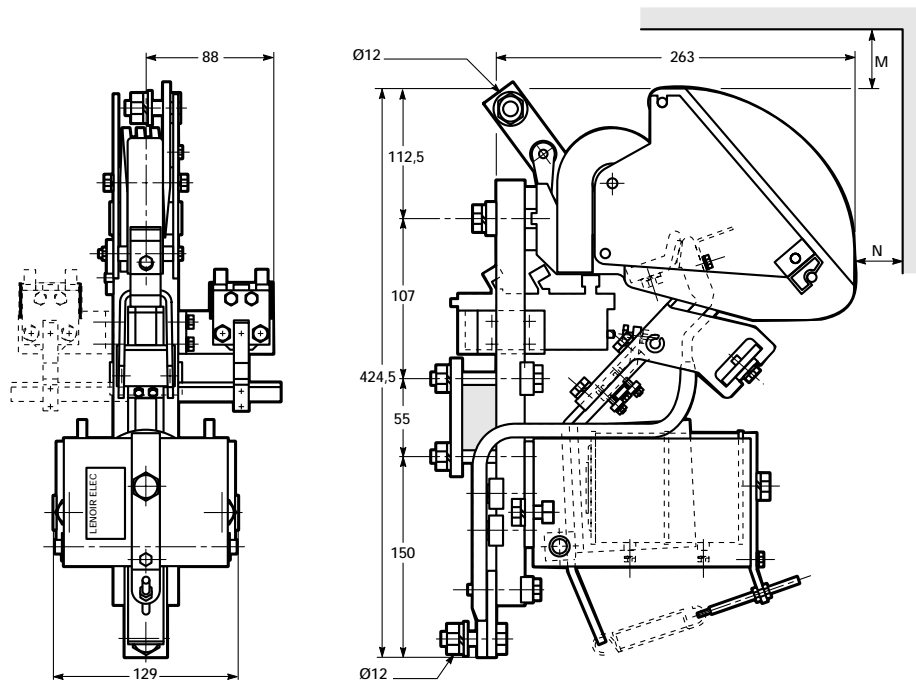
6. CBC 96 - 400 - 630



Attachment on an insulated bar 44 x 24.

Calibre	M	N
400	45	45
630	75	60

7. RUBC 96 - 400 - 630



Attachment on an insulated bar 44 x 24.

Calibre	M	N
400	45	45
630	75	60